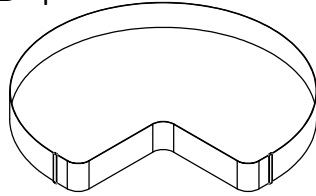


1 COMPONENTS

A 2pcs



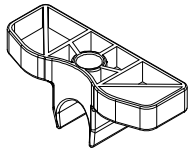
B 2pcs



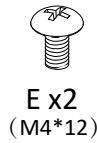
C 2pcs



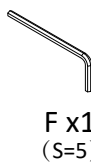
D 2pcs



E 2pcs



F 1 pc



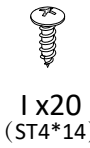
G 2pcs



H 2pcs



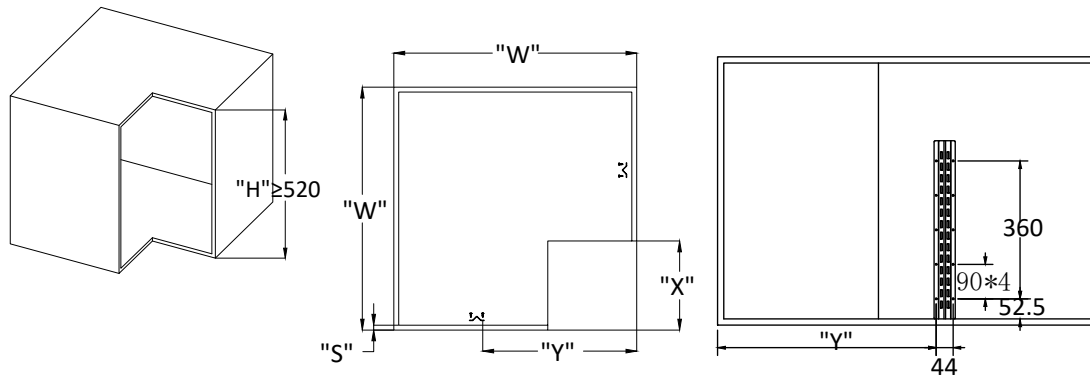
I 20pcs



2 CABINET SIZE

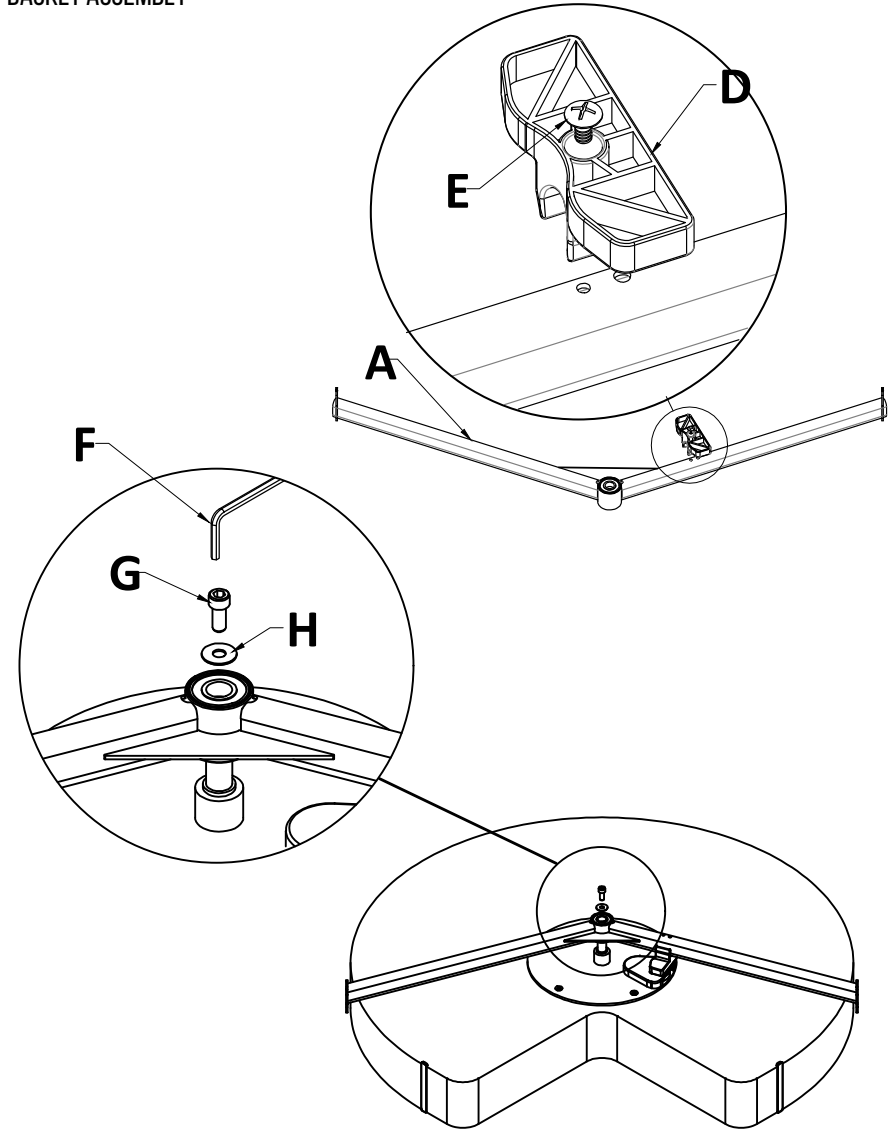
(UNIT:MM)

"W"	"X"	"Y"				
		S=16	S=17	S=18	S=19	S=20
900	≤345	569	570	571	572	573

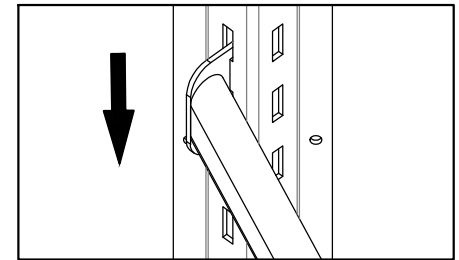
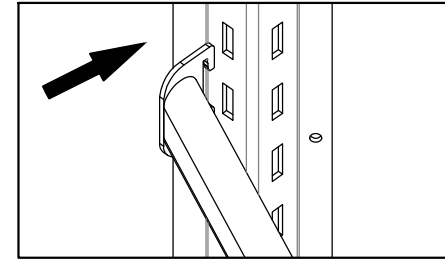
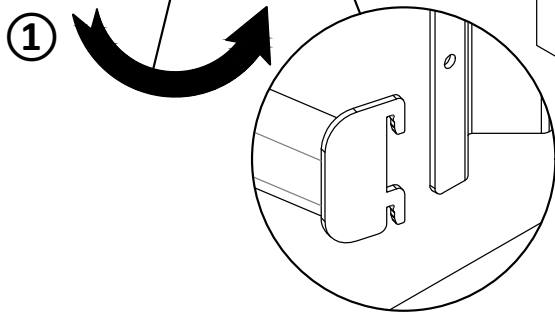
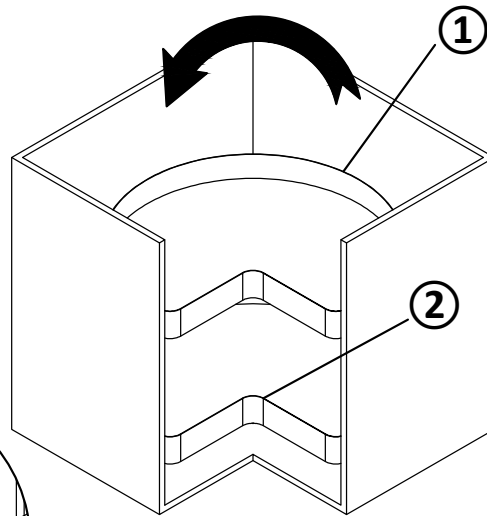
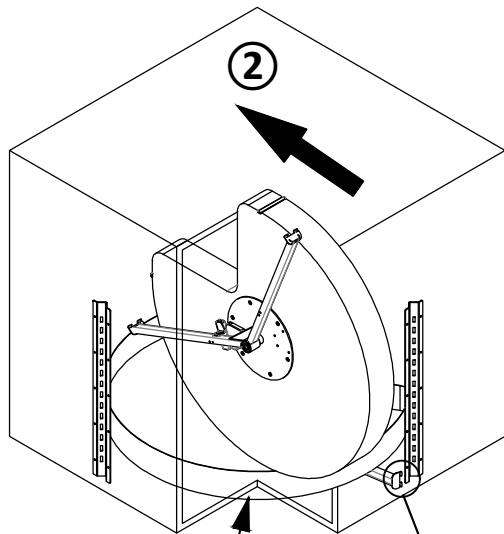
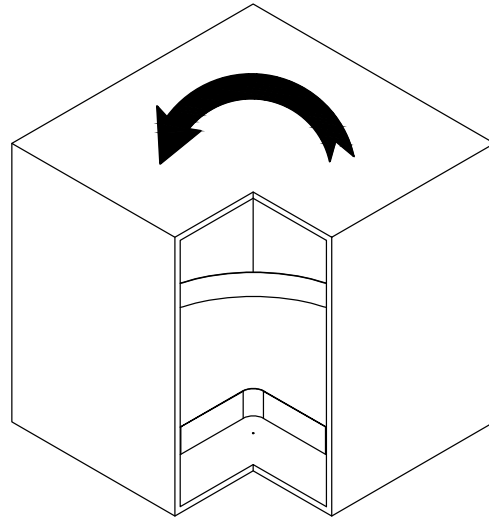
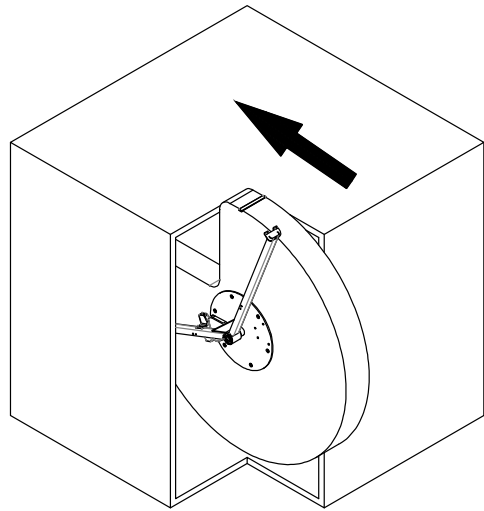


3 INSTALLATION

1 BASKET ASSEMBLY



INSTALLATION



2 INSTALLATION COMPLETED

